

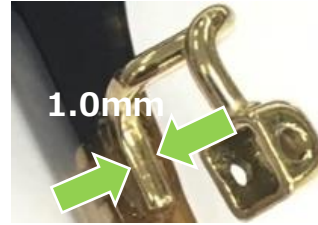
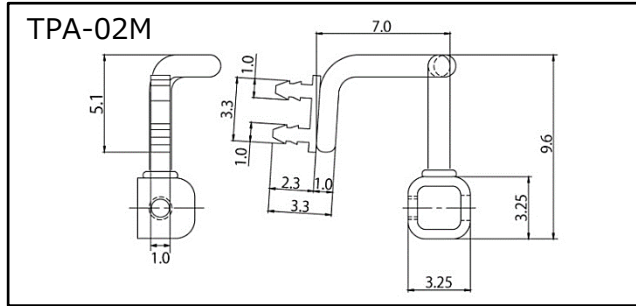
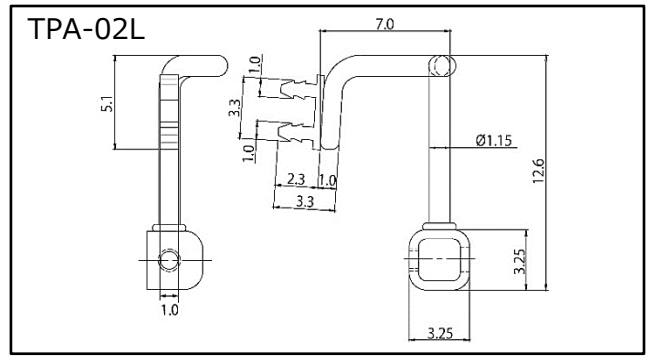
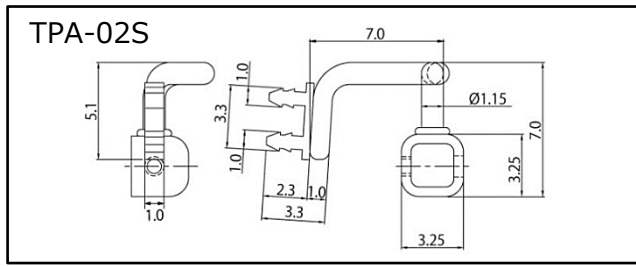
# Insertion Pad System

We propose special pad / pad-arm constructions.  
All of those items are used for any kind of plastic frames by the embedding process.  
Each type has some unique features.



## TPA-02S (titanium)

M1.0 and M1.2 are available in all types. The box is the same size in all types.



The front of the frame can be designed to be thin because the width is "just 1.0mm thin" as shown in the picture below.

### Color Variations

PVD colors are available.

Raw  
(material color)



Gold  
(PVD)

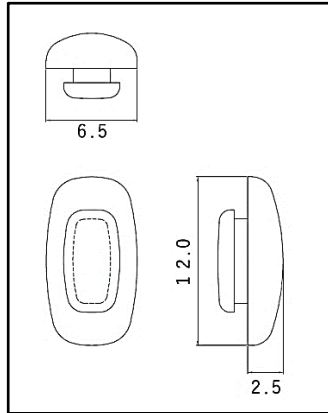
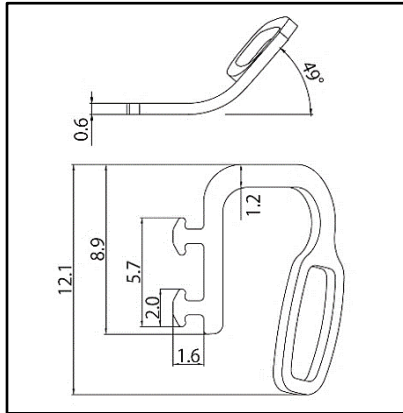


Black  
(PVD)



## MPA-02 (stainless steel)

### Silicone Pad(MP-03)

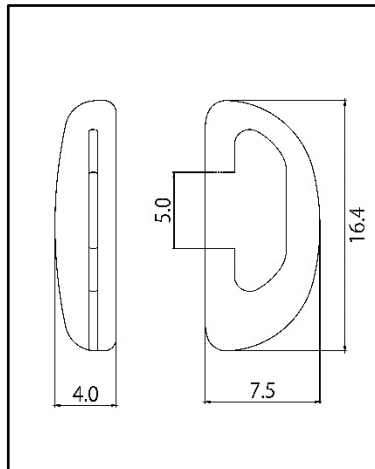
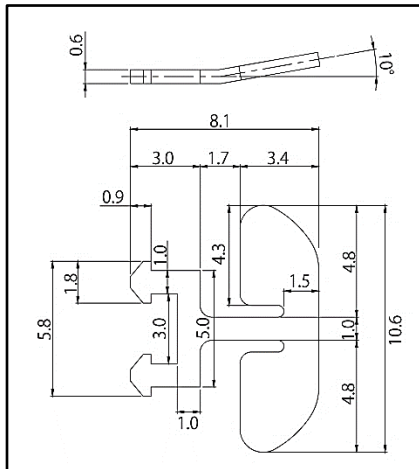


### Color Variations

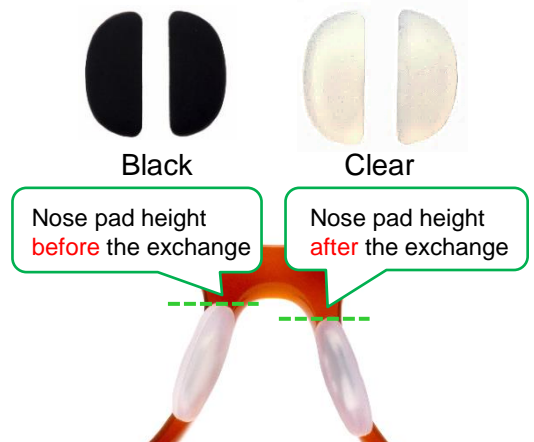


## MPA-07 (stainless steel)

### Silicone Pad(MP-07)



### Color Variations



Nose pad height  
before the exchange

Nose pad height  
after the exchange

Nose pad height can be different after the exchange of left and right nose pads.